

## 8.20 Tuerca enlace para unión

### Información del producto

**Características**

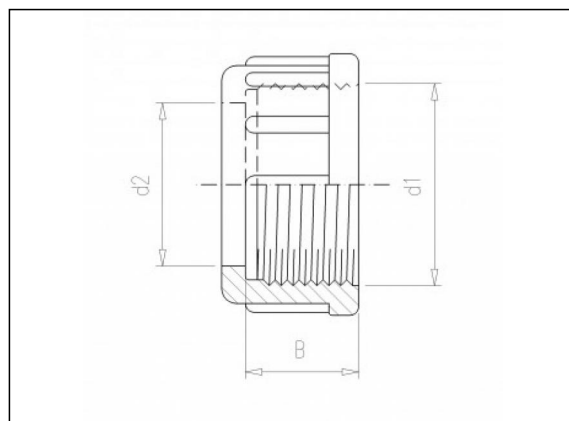
- Rosca hembra BSP

**Material**

- PVC-U = cloruro de polivinilo sin plastificar

**Fabricación**

- Moldeado por inyección



### Artículos disponibles

| ART.CODE | Dia | d1           | d2 | B  | Verp |
|----------|-----|--------------|----|----|------|
| 8.20.016 | 16  | 3/4<br>(F)   | 22 | 16 | 100  |
| 8.20.020 | 20  | 1 (F)        | 28 | 16 | 100  |
| 8.20.025 | 25  | 1 1/4<br>(F) | 36 | 18 | 50   |
| 8.20.032 | 32  | 1 1/2<br>(F) | 41 | 19 | 50   |
| 8.20.040 | 40  | 2 (F)        | 53 | 21 | 25   |
| 8.20.050 | 50  | 2 1/4<br>(F) | 58 | 24 | 25   |

**Van de Lande BV**

Lissenveld 1 \ 4941 VK Raamsdonksveer \ The Netherlands \ t +31 (0)162 51 60 00 \ f +31 (0)162 52 14 17 \ sales@vandelande.com  
Traderegister Tilburg: 18070844 \ IBAN: NL13 RABO 0143 0035 26 \ BIC: RABONL2U \ VAT: NL 8123.91.755.B01

| ART.CODE | Dia | d1           | d2 | B  | Verp |
|----------|-----|--------------|----|----|------|
| 8.20.063 | 63  | 2 3/4<br>(F) | 74 | 27 | 25   |

**Van de Lande BV**

Lissenveld 1 \ 4941 VK Raamsdonksveer \ The Netherlands \ t +31 (0)162 51 60 00 \ f +31 (0)162 52 14 17 \ sales@vandelande.com  
Traderegister Tilburg: 18070844 \ IBAN: NL13 RABO 0143 0035 26 \ BIC: RABONL2U \ VAT: NL 8123.91.755.B01

All our transactions are subject to the Van de Lande General Terms of Sale. A copy of these can be provided immediately upon your request.