

4.30 Difuser en nylon

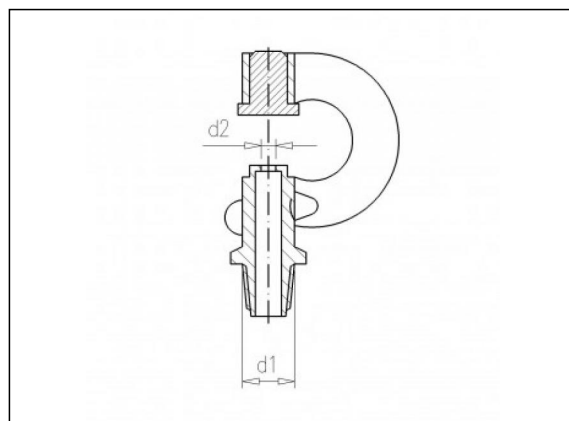
Información del producto

Características

- Rosca macho BSP

Fabricación

- Moldeado por inyección



Artículos disponibles

ART.CODE	Descripción	d1	d2	Verp
4.30.111	brown/bruin/braun/brun/marrón	M11	1.75	1000 (4x250)
4.30.112	green/groen/grün/vert/verde	M11	2	1000 (4x250)

Van de Lande BV

Lissenveld 1 \ 4941 VK Raamsdonksveer \ The Netherlands \ t +31 (0)162 51 60 00 \ f +31 (0)162 52 14 17 \ sales@vandelande.com
 Traderegister Tilburg: 18070844 \ IBAN: NL13 RABO 0143 0035 26 \ BIC: RABONL2U \ VAT: NL 8123.91.755.B01

ART.CODE	Descr iption	d1	d2	Verp
4.30.113	grey/ grijs/ grau/ gris/g ris	M11	2.25	1000 (4x25 0)
4.30.114	blue/ blau w/bla u/ble u/azu l	M11	2.5	1000 (4x25 0)
4.30.115	red/r ood/r ot/ro uge/r ojo	M11	2.75	1000 (4x25 0)
4.30.116	orang e/ora nje/o range /oran ge/na ranja	M11	3	1000 (4x25 0)
4.30.117	black /zwar t/sch warz/ noir/ negro	M11	3.25	1000 (4x25 0)
4.30.381	brow n/bru in/bra un/br un/m arrón	WW3 /8"	1.75	1000 (4x25 0)
4.30.382	green /groe n/grü n/ver t/ver de	WW3 /8"	2	1000 (4x25 0)
4.30.383	grey/ grijs/ grau/ gris/g ris	WW3 /8"	2.25	1000 (4x25 0)

Van de Lande BV

Lissenveld 1 \ 4941 VK Raamsdonksveer \ The Netherlands \ t +31 (0)162 51 60 00 \ f +31 (0)162 52 14 17 \ sales@vandelande.com
 Traderegister Tilburg: 18070844 \ IBAN: NL13 RABO 0143 0035 26 \ BIC: RABONL2U \ VAT: NL 8123.91.755.B01

www.vandelande.com

ART.CODE	Description	d1	d2	Verp
4.30.384	blue/ blau w/bla u/ble u/azu l	WW3 /8"	2.5	1000 (4x25 0)
4.30.385	red/r ood/r ot/ro uge/r ojo	WW3 /8"	2.75	1000 (4x25 0)
4.30.386	orang e/ora nje/o range /oran ge/na ranja	WW3 /8"	3	1000 (4x25 0)
4.30.387	black /zwar t/sch warz/ noir/ negro	WW3 /8"	3.25	1000 (4x25 0)

Van de Lande BV

Lissenveld 1 \ 4941 VK Raamsdonksveer \ The Netherlands \ t +31 (0)162 51 60 00 \ f +31 (0)162 52 14 17 \ sales@vandelande.com
Traderegister Tilburg: 18070844 \ IBAN: NL13 RABO 0143 0035 26 \ BIC: RABONL2U \ VAT: NL 8123.91.755.B01

www.vandelande.com